

MOVtech V43 series Programmable PLC

MOVtech Programmable controller V43 series



- **Atmega2560 processor**
- **Total 32 digital I/O (8ADC)**
- **Integral RS485-Modbus-RTU communication**
- **Integral Ethernet-Modbus-TCP communication**
- **(1) LoRa – (1) Wi-Fi - (1) Bluetooth communication Port interfaces***
- **Built-in Program memory SD card**
- **8 Isolated NPN inputs**
- **8 Protected ADC input (0-10V)**
- **8 Relay Output**
- **8 PWM or Relay Output**
- **4 Digital RX input 433MHz**
- **Easy to use programming Support Microchip Studio or Arduino IDE**
- **(12) 24V operation**

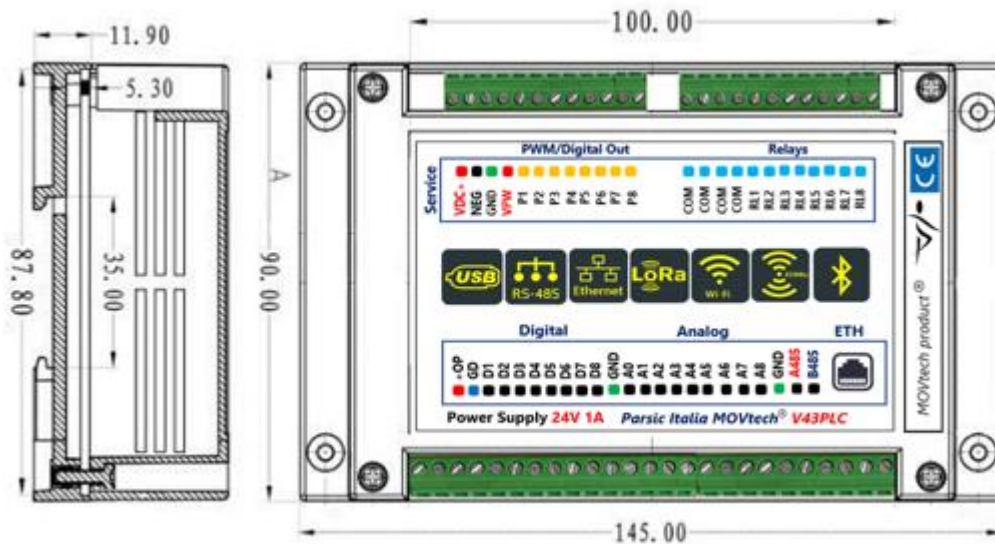
* **LoRa and Bluetooth are optional interface**

Options and ordering codes

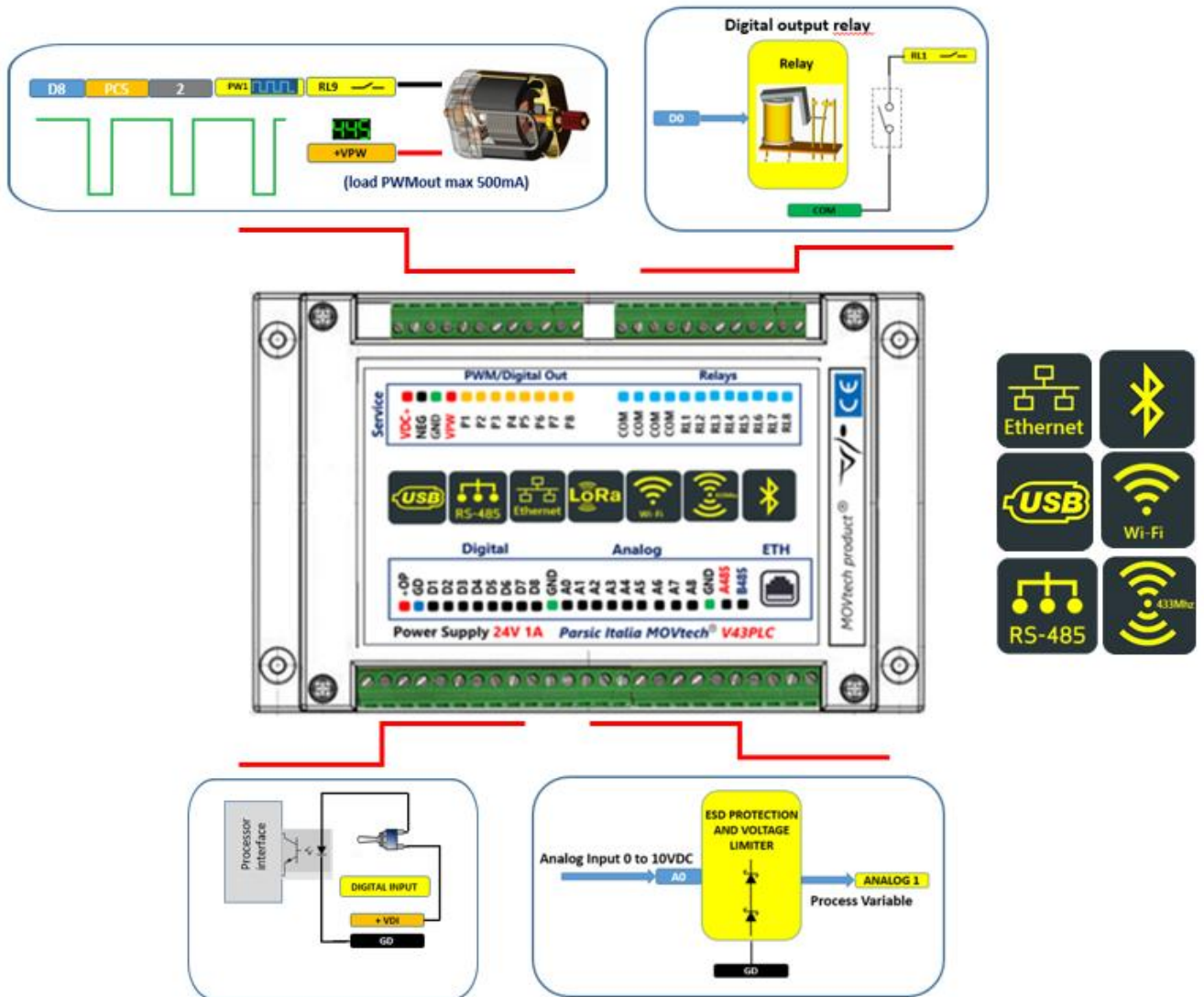
- **MOVtec V43B base version (Wi-Fi + Ethernet interface) V43plc base**
- **MOVtec V43HC Hc12 (Wi-Fi + Ethernet interface + Hc12)**
- **MOVtec V43BT Bluetooth (Wi-Fi + Ethernet interface + BT)**

MOVtech Programmable controller V43 series

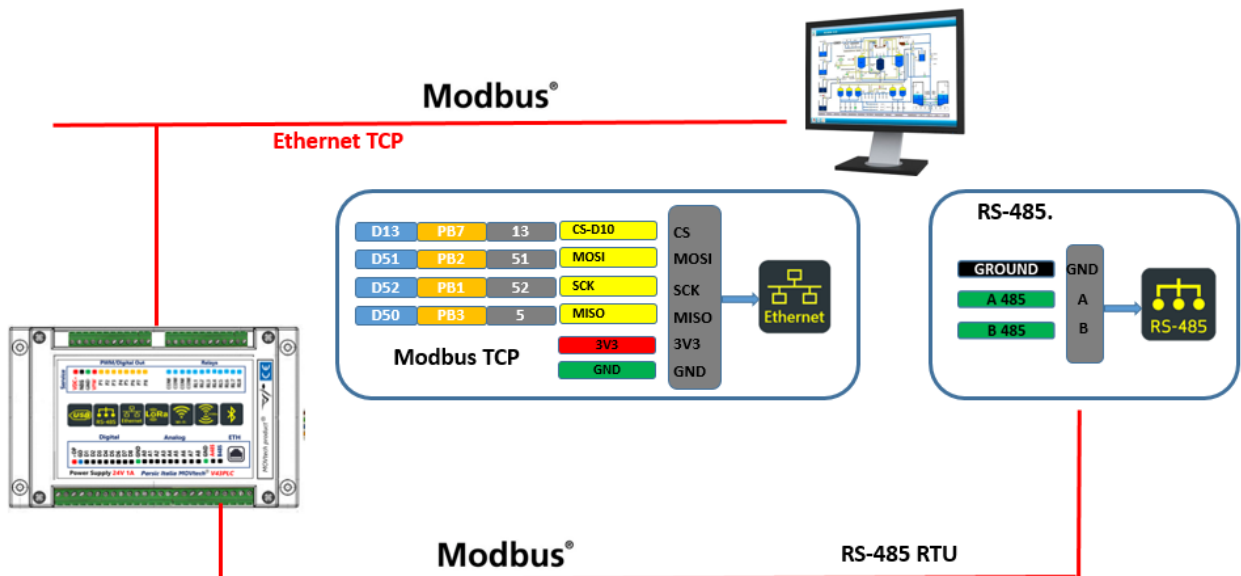
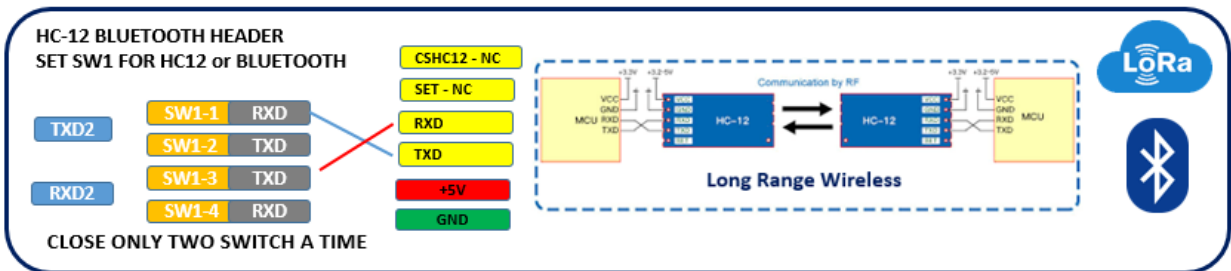
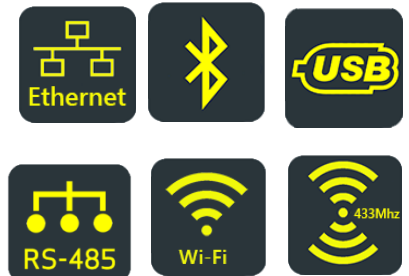
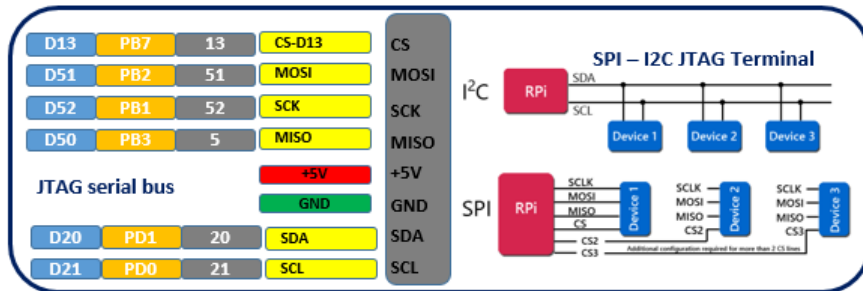
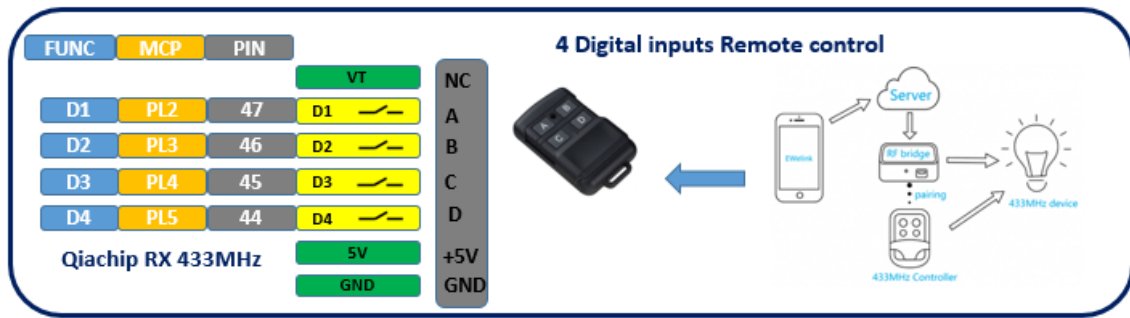
Specifications	
Program control method	Cyclic execution of stored program
Instruction	135
General Purpose Working register	32*8
Digital Optoisolated Inputs	(8) NPN 12-24VDC
Digital Outputs Relays	(8) 230V 3A AC1
Analog Inputs ADC	(8) 0-10VDC protected input
Digital Outputs PWM or aux relays	8 PWM (max out current driver 500mA)
Digital Input 433MHz TX port	(4) not protected Input
RS485 Port	(1) RS485 Modbus-RTU Port communication
Ethernet Port	(1) Ethernet Modbus TCIP Port communication
Wi-Fi Port	(1) Wi-Fi Port WLAN IEEE802
LoRaWAN Port (optional)	(1) LPWA Low Power Wide Area Port HC-12 interface
Bluetooth Port (optional)	(1) WPAN Port communication local interface
SD Card	(1) Secure Digital memory card (only socket)
JTAG Port	(1) Debug or serial terminal SPI-I2C
Power Supply	24V (12-24V) optional 48VDC on request special app.



MOVtech Programmable controller V43 series – Basic functions



MOVtech Programmable controller V43 series – Communications



MOVtec Programmable controller V43 series – Order

How to order the V43plc board

The board is supplied in a plastic cover complete with support for DIN bar. It is supplied in the basic version, with **Wi-Fi, RS485 and Ethernet port**.

The HC-12 and Bluetooth modules are optional.

- **MOVtec V43B base version (Wi-Fi + Ethernet interface + RS485) V43plc base**
- **MOVtec V43HC Hc12 (Wi-Fi + Ethernet interface + RS485 + Hc12)**
- **MOVtec V43BT Bluetooth (Wi-Fi + Ethernet interface + RS485 + BT)**



Parsic Italia® MOVtec® are registered trademarks