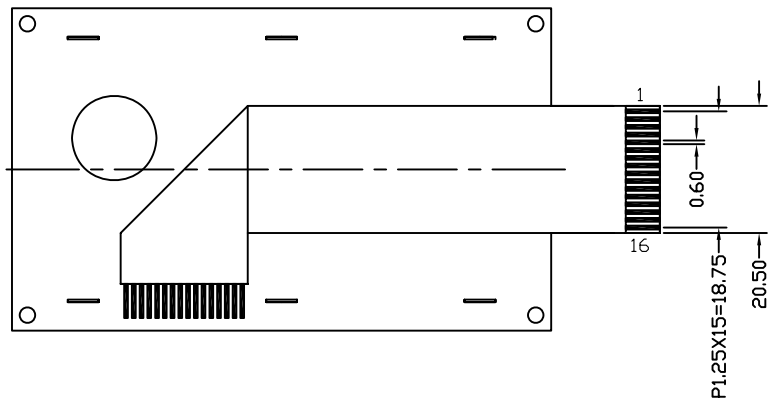
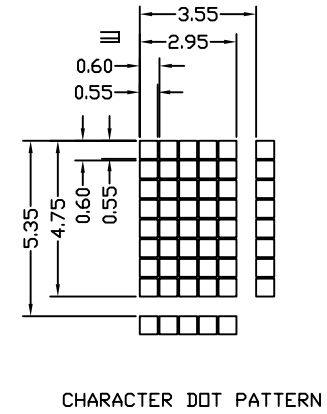
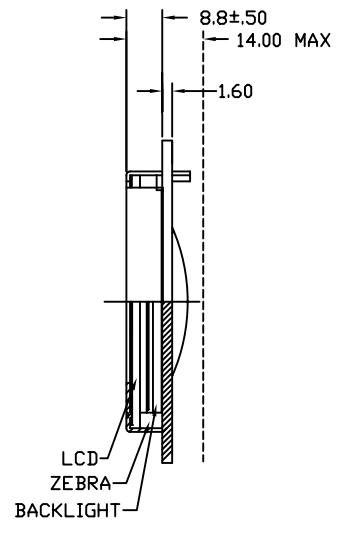
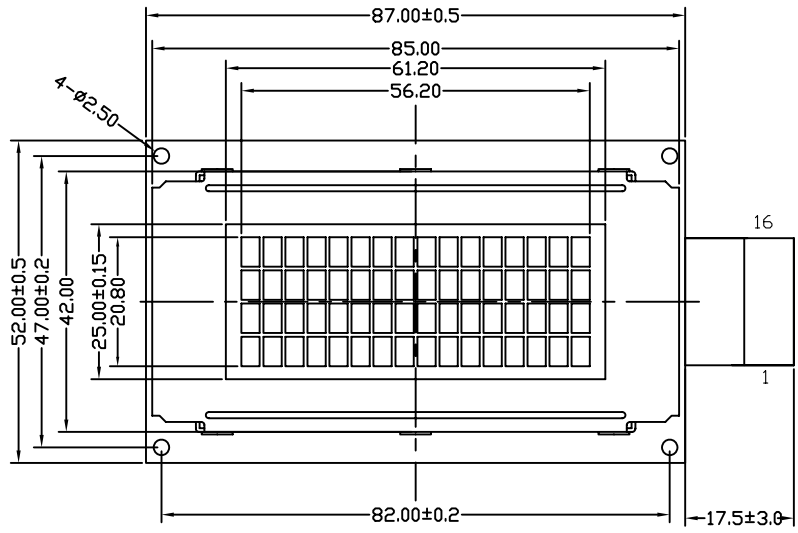


REV	Description	Date
A00	First Issue	2005-SEP-16



SPECIFICATIONS:

- 1) FSTN/+VE/B&W/TRANSFLECTIVE MODE
- 2) 1/16 DUTY, 1/5 BIAS, VLCD=4.8V
- 3) VIEWING ANGEL= 12 O'CLOCK
- 4) OP.TEMP.= 0 °C to +50°C
ST. TEMP= -10°C to +60°C
- 5) WITH WHITE LED BACKLIGHT, 3.6@30mA
- 6) WITH EUROPEAN FONTS

PIN ASSIGNMENT:

PIN NO.	1	2	3	4	5	6	7	8	9	10	11	12	13	14	15	16
PIN NAME	VSS	VDD	VD	RS	R/W	E	DB0	DB1	DB2	DB3	DB4	DB5	DB6	DB7	LED+	LED-

Description: **MECHANICAL SPECIFICATIONS**

Scale:

Sheet : 1 of 1

Unspecified Tol. ±0.3 Unit mm


Approvals Date

Draw: Project Number TMBC16465BSP-01A

Check: Item Number

Approve: Do Not Scale This Drawing

Projection



TRI-T COMPANY LIMITED