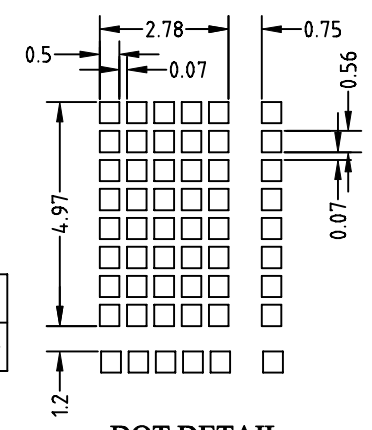
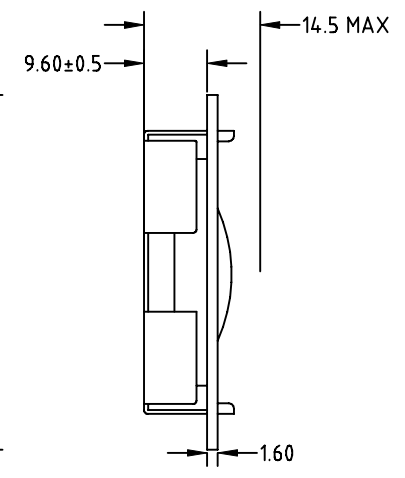
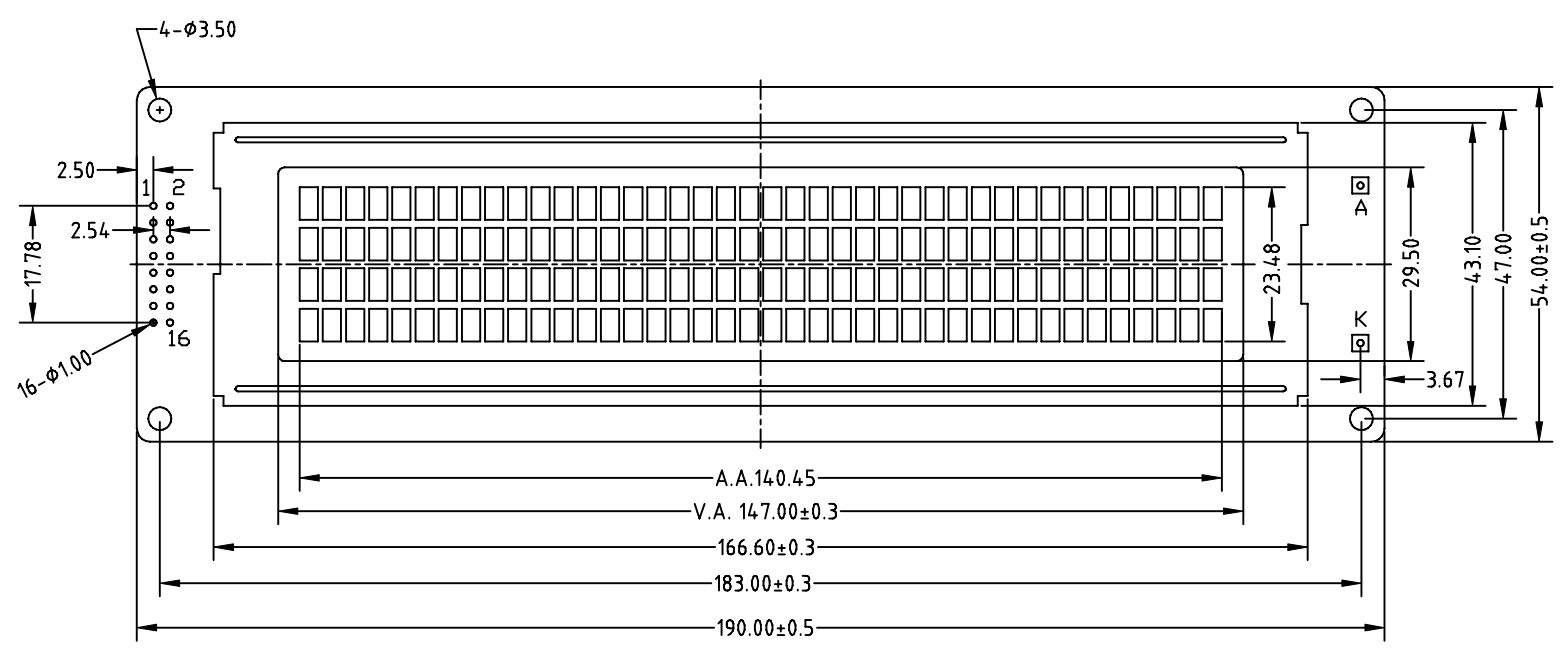


REV	Description	Date
A00	First Issue	2006-JUN-25




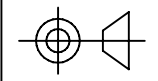
DOT DETAIL

PIN ASSIGNMENT:

1	2	3	4	5	6	7	8	9	10	11	12	13	14	15	16	A	K
DB7	DB6	DB5	DB4	DB3	DB2	DB1	DB0	E1	R/W	RS	Vo	Vss	Vcc	E2	NC	LED+	LED-

SPECIFICATIONS:

- 1) STN/+VE/Y-G/TRANSFLECTIVE MODE
- 2) 1/16 DUTY, 1/5 BIAS, VOP=4.5V
- 3) VIEWING ANGLE=6 O'CLOCK
- 4) OP.TEMP.= -20°C TO +70°C
ST.TEMP.= -30°C TO +80°C
- 5) WITH Y-G LED BACKLIGH, 4.05V@500mA

Description:		MECHANICAL SPECIFICATIONS	
Scale:		 TRI-T COMPANY LIMITED	
Sheet : 1 of 1			
Unspecified Tol. ±0.3	Unit mm	Project Number	Item Number
Approvals	Date		
Draw:		TMBC40465ASP-12	
Check:			
Approve:		Do Not Scale This Drawing	 Projection