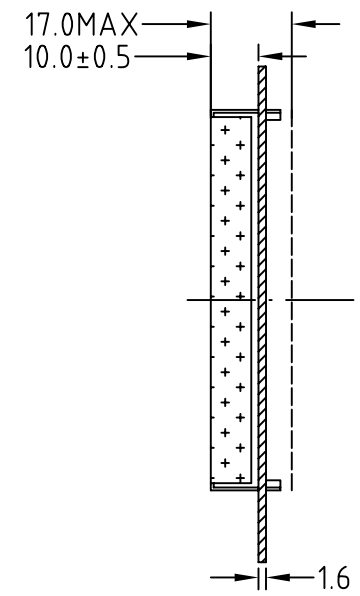
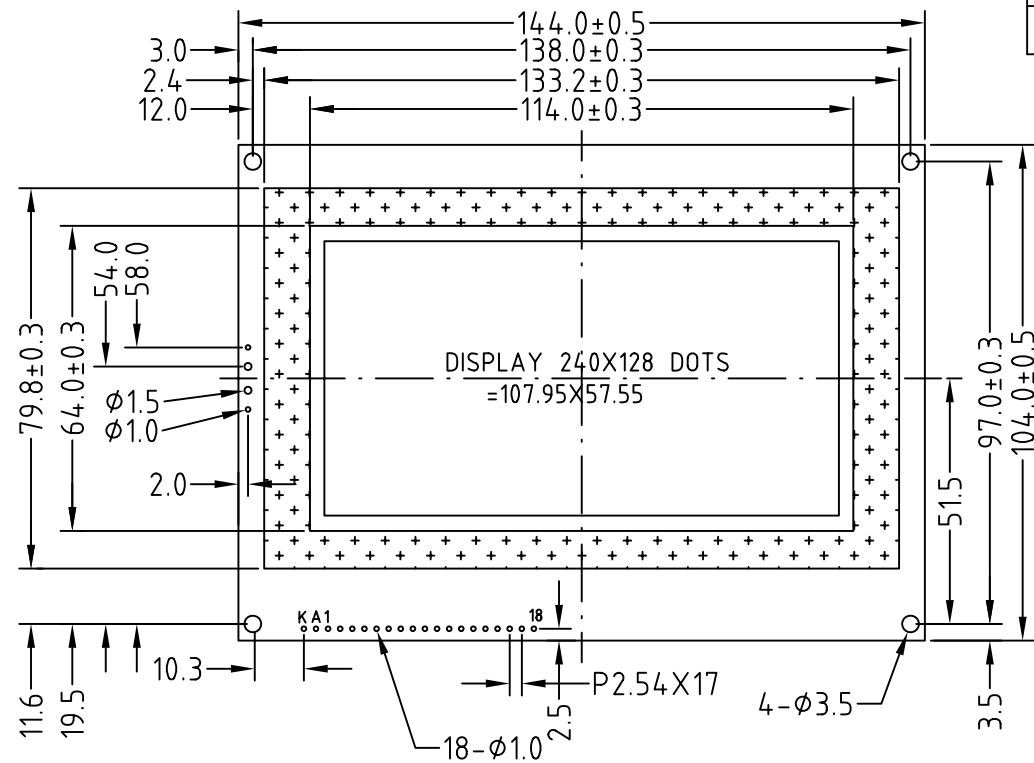


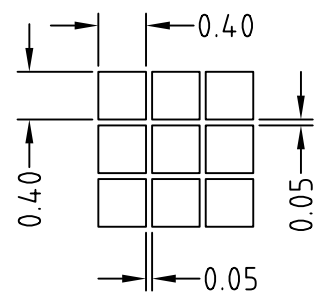
REV	Description	Date
A00	First Issue	2008-JUL-15



PIN#	1	2	3	4	5	6	7	8	9	10	11	12	13	14	15	16	17	18	K	A
NAME	FG	VSS	VDD	V0	/WR	/RD	/CE	C/D	/RST	DB0	DB1	DB2	DB3	DB4	DB5	DB6	DB7	FS	LED-	LED+

SPECIFICATIONS:

- 1) LCD CONTROLLER: T6963C OR EQUI.
- 2) STN/+VE/Y-G/TRANSFLECTIVE MODE
- 3) 1/128 DUTY, 1/12 BIAS, VLCD =19.0V
- 4) OP.TEMP.=-20°C TO +70°C
ST.TEMP.=-30°C TO +80°C
- 5) WITH Y-G LED BACKLIGHT, 4.05V@720mA



Description: **MECHANICAL SPECIFICATIONS**

Scale: _____

Sheet : 1 of 1

Unspecified Tol. ±0.3 Unit mm

Approvals _____ Date _____

Draw: _____

Check: _____

Approve: _____

Project Number: TMBG240128T-02A

Item Number: _____

Do Not Scale This Drawing

Projection:

TRI-T COMPANY LIMITED